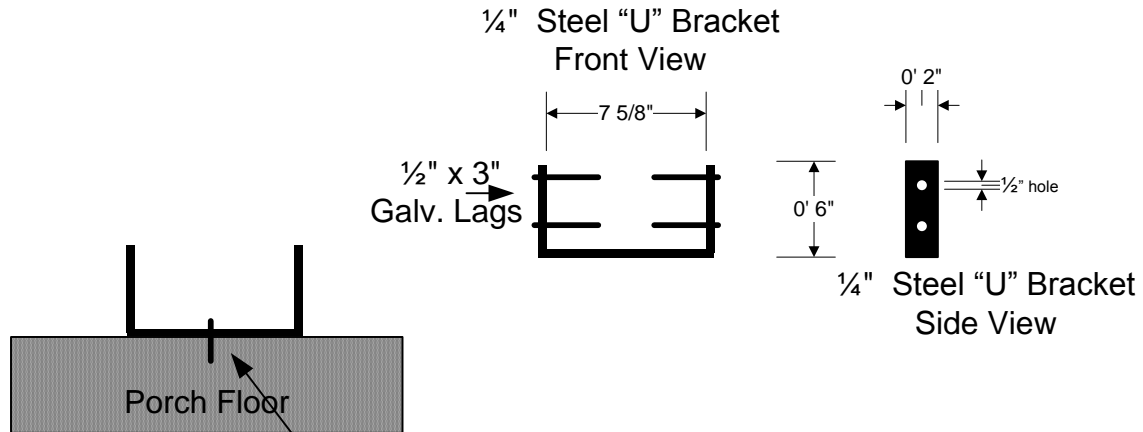




TIMBER POST "U" BRACKET DETAIL



NOTES:

- 3/4" Diameter hole allowing for anchor bolt or concrete anchor - Provided by installer